

Schnorr® HDS Load Washer

Material: High Tensile Steel

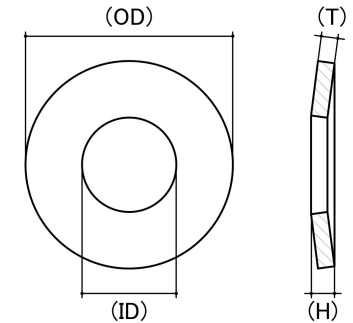
Class Grade: High Tensile Grade 10.9

Corrosion Protection Level: Very Good

Finish: Zinc Coated + Passivation

Standard: DIN 6796

System Of Measurement: Metric



*CAD drawings shown for graphic representation only.**

Industry Size	Inside Dimension (ID) (mm)	Outside Dimension (OD) (mm)	Thickness (T) (mm)	Unloaded Washer Height (H) (mm)		Contact Force (N)	Oem Part Number	sku (qfind)
	Nom	Nom	Nom	Min	Max	Nom	Nom	
M3 x 7 x 0.6	3.20	7.00	0.60	0.70	0.80	-	702 130	71LW37
M4 x 9 x 1	4.30	9.00	1.00	1.10	1.30	4,400 (N)	702 150	71LW49
M5 x 11 x 1.2	5.30	11.00	1.20	1.30	1.50	7,200 (N)	702 160	71LW511
M6 x 14 x 1.5	6.40	14.00	1.50	1.70	2.00	10,200 (N)	702 170	71LW614
M8 x 18 x 2	8.40	18.00	2.00	2.20	2.60	18,600 (N)	702 190	71LW818
M10 x 23 x 2.5	10.50	23.00	2.50	2.80	3.20	29,600 (N)	702 200	71LW1023
M12 x 29 x 3	13.00	29.00	3.00	3.40	4.00	43,000 (N)	702 210	71LW1229
M14 x 35 x 3.5	15.00	35.00	3.50	4.00	4.60	59,100 (N)	702 220	71LW1435
M16 x 39 x 4	17.00	39.00	4.00	4.60	5.30	80,900 (N)	702 230	71LW1639
M18 x 42 x 4.5	19.00	42.00	4.50	5.10	5.80	102,000 (N)	702 240	71LW1842
M20 x 45 x 5	21.00	45.00	5.00	5.60	6.40	130,000(N)	702 250	71LW2045
M22 x 49 x 5.5	23.00	49.00	5.50	6.10	7.10	162,000 (N)	702 260	71LW2249
M24 x 56 x 6	25.00	56.00	6.00	6.80	7.70	188,000 (N)	702 270	71LW2456
M27 x 60 x 6.5	28.00	60.00	6.50	7.30	8.40	240,600 (N)	702 280	71LW2760
M30 x 70 x 7	31.00	70.00	7.00	8.00	9.20	300,000 (N)	702 290	71LW3070

Disclaimer:

Dimensional data and technical information was obtained from publically available sources and not acquired through standard agencies. It has been completed and compiled for reference purposes only; where discrepancies are found they are subject to change without notice. Bolt & Nut Australia makes no warranties or representations regarding the accuracy and validity of the compiled information and data. Contact the relevant standard authorities for accurate and detailed information.

* CAD drawings may not reflect diameter, thread length or overall length.